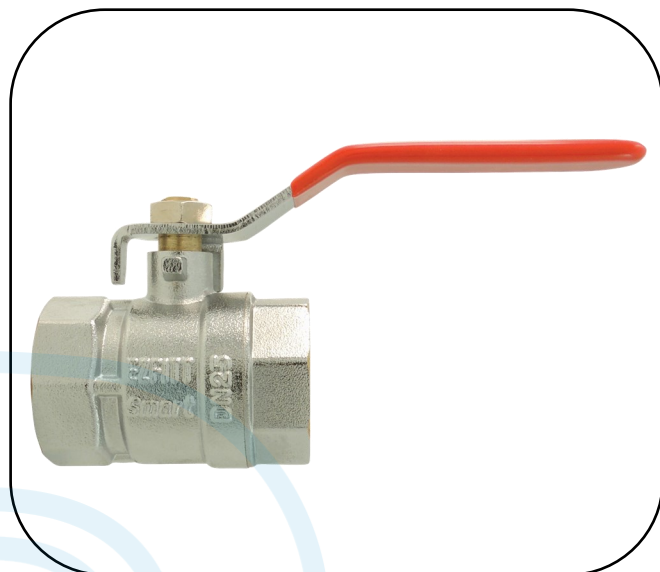


Art. 120

Vanne à sphère *Smart* en laiton, FF, poignée plate

Smart brass ball valve, FF, flat handle

Válvula de esfera *Smart* de latón, HH, palanca plana

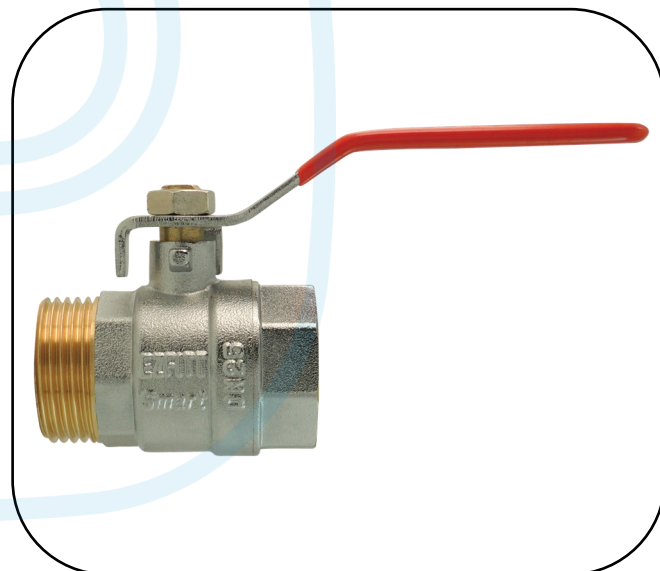


Art. 121

Vanne à sphère *Smart* en laiton, MF, poignée plate

Smart brass ball valve, MF, flat handle

Válvula de esfera *Smart* de latón, MH, palanca plana

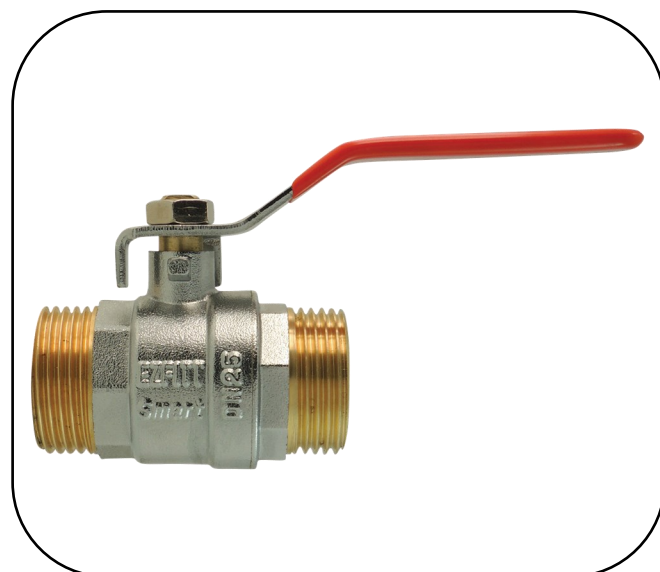


Art. 122

Vanne à sphère *Smart* en laiton, MM, poignée plate

Smart brass ball valve, MM, flat handle

Válvula de esfera *Smart* de latón, MM, palanca plana



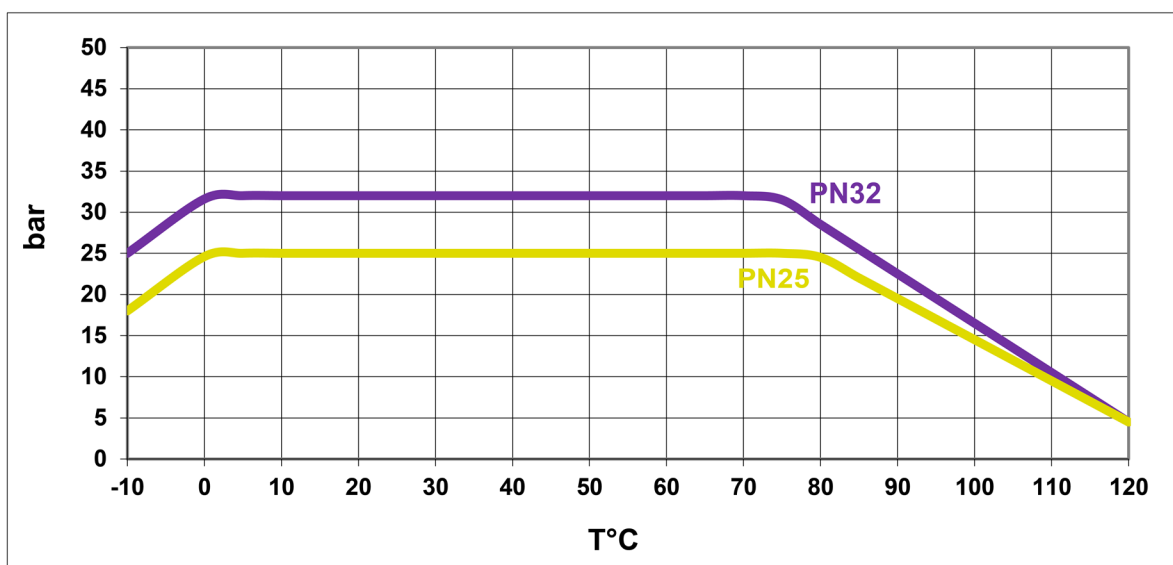
Conditions d'utilisation - Conditions of use - Condiciones de uso

- | | | |
|-------------------------------------------------------------------------------------------------------------------------------------------------------------------------------------------------------------------------------------------------------------------------------------------------------------------------------------------------------------------------------------------|-----------------------------------------------------------------------------------------------------------------------------------------------------------------------------------------------------------------------------------------------------------------------------------------------------------------------------------------------|-----------------------------------------------------------------------------------------------------------------------------------------------------------------------------------------------------------------------------------------------------------------------------------------------------------------------------------------------------------------------------|
| <ul style="list-style-type: none"> • Applications : Réseaux d'adduction d'eau potable, système de chauffage et climatisation, irrigation, industrie légère. • Fluides : Eau, fluides non agressifs (compatibles EPDM/PTFE/laiton), air comprimé non lubrifié (8 bar maxi). • Pression : PN 32/25 bar (selon taille) • Températures : -10/+120°C | <ul style="list-style-type: none"> • Applications : Drinking water supply networks, Hvac systems, irrigation, light industry. • Fluids : water, non-aggressive fluids (compatibles EPDM/PTFE/brass), unlubricated compressed air (8 bar max). • Pressure : PN 32/25 bar • Temperatures : -10/+120°C | <ul style="list-style-type: none"> • Aplicaciones : Abastecimiento de agua potable, sistemas de calefacción y de climatización, irrigación, industria ligera. • Fluidos : agua, fluidos no agresivos (compatibles EPDM/PTFE/latón), aire comprimido sin aceite (8 bar maxi). • Presión : PN 32/25 bar • Temperaturas : -10/+120°C |
|-------------------------------------------------------------------------------------------------------------------------------------------------------------------------------------------------------------------------------------------------------------------------------------------------------------------------------------------------------------------------------------------|-----------------------------------------------------------------------------------------------------------------------------------------------------------------------------------------------------------------------------------------------------------------------------------------------------------------------------------------------|-----------------------------------------------------------------------------------------------------------------------------------------------------------------------------------------------------------------------------------------------------------------------------------------------------------------------------------------------------------------------------|

Caractéristiques techniques - Technical features - Características técnicas

- | | | |
|-------------------------------------------------------------------------------------------------------------------------------------------------------------------------------------------------------------------------------------------------------------------------------------------------------------------------------------------------------------------------------------------------------------------------------------------------------------------------------------------------------------------------------------------------------------------------------------------------------------------------------------------------------------------------------------------------------------------------------------------------------------------|---------------------------------------------------------------------------------------------------------------------------------------------------------------------------------------------------------------------------------------------------------------------------------------------------------------------------------------------------------------------------------------------------------------------------------------------------------------------------------------------------------------------------------------------------------------------------------------------------------------------------------------------------------------------------------------------------------------------------------|-------------------------------------------------------------------------------------------------------------------------------------------------------------------------------------------------------------------------------------------------------------------------------------------------------------------------------------------------------------------------------------------------------------------------------------------------------------------------------------------------------------------------------------------------------------------------------------------------------------------------------------------------------------------------------------------------------------------------------------------------------------------|
| <ul style="list-style-type: none"> • Vanne en laiton matricé, nickelé sur les surfaces extérieures. • Conçue, fabriquée et contrôlée selon la norme européenne EN 13828. • Passage standard. • Étanchéité par double joint torique EPDM. • Axe inéjectable. • Embouts filetés BSPP (gaz) selon norme ISO 228-1. • Portées planes pour réaliser une étanchéité par joint plat. • Poignée réversible avec indication du sens de manœuvre ON/OFF. • Flashcode sur poignée et étiquette (accès aux fiches techniques via un smartphone). • Marquage et traçabilité (date de fabrication, PN, taille, ACS, EZFIT Smart). • Étanchéité testée à 100% en usine. | <ul style="list-style-type: none"> • Forged brass ball valve, nickel plated on outer surfaces. • Designed, manufactured and controlled according to European standard EN 13828. • Standard bore. • Tightness with 2 EPDM O'rings. • Anti blow-out stem. • BSPP threaded ends according to ISO 228-1 standard. • Flat bearing area to make tightness with flat gasket. • Reversible handle with operating direction ON/OFF. • Data matrix code on handle and label (to access technical sheet from a smartphone). • Marking and traceability (manufacturing date, PN, size, ACS, EZFIT Smart). • Tightness 100% tested. | <ul style="list-style-type: none"> • Válvula de latón forjado, niquelado en las superficies exteriores. • Diseñada, fabricada y controlada según la norma Europea EN 13828. • Paso estándar. • Estanqueidad por doble junta tórica de EPDM. • Eje antiexplosión. • Roscados BSPP según la norma ISO 228-1. • Asiento plano para permitir una estanqueidad por junta plana. • Palanca reversible con indicador de dirección ON/OFF. • Código datamatrix en la palanca y la etiqueta (acceso a las fichas técnicas desde un Smartphone). • Identificación y trazabilidad (fecha de fabricación, PN, DN, ACS, EZFIT Smart). • Estanqueidad testada al 100%. |
|-------------------------------------------------------------------------------------------------------------------------------------------------------------------------------------------------------------------------------------------------------------------------------------------------------------------------------------------------------------------------------------------------------------------------------------------------------------------------------------------------------------------------------------------------------------------------------------------------------------------------------------------------------------------------------------------------------------------------------------------------------------------|---------------------------------------------------------------------------------------------------------------------------------------------------------------------------------------------------------------------------------------------------------------------------------------------------------------------------------------------------------------------------------------------------------------------------------------------------------------------------------------------------------------------------------------------------------------------------------------------------------------------------------------------------------------------------------------------------------------------------------|-------------------------------------------------------------------------------------------------------------------------------------------------------------------------------------------------------------------------------------------------------------------------------------------------------------------------------------------------------------------------------------------------------------------------------------------------------------------------------------------------------------------------------------------------------------------------------------------------------------------------------------------------------------------------------------------------------------------------------------------------------------------|

Graphique Pression/Température - Pressure/Temperature chart - Gráfico Presión/Temperatura



Certifications - Certifications - Certificaciones

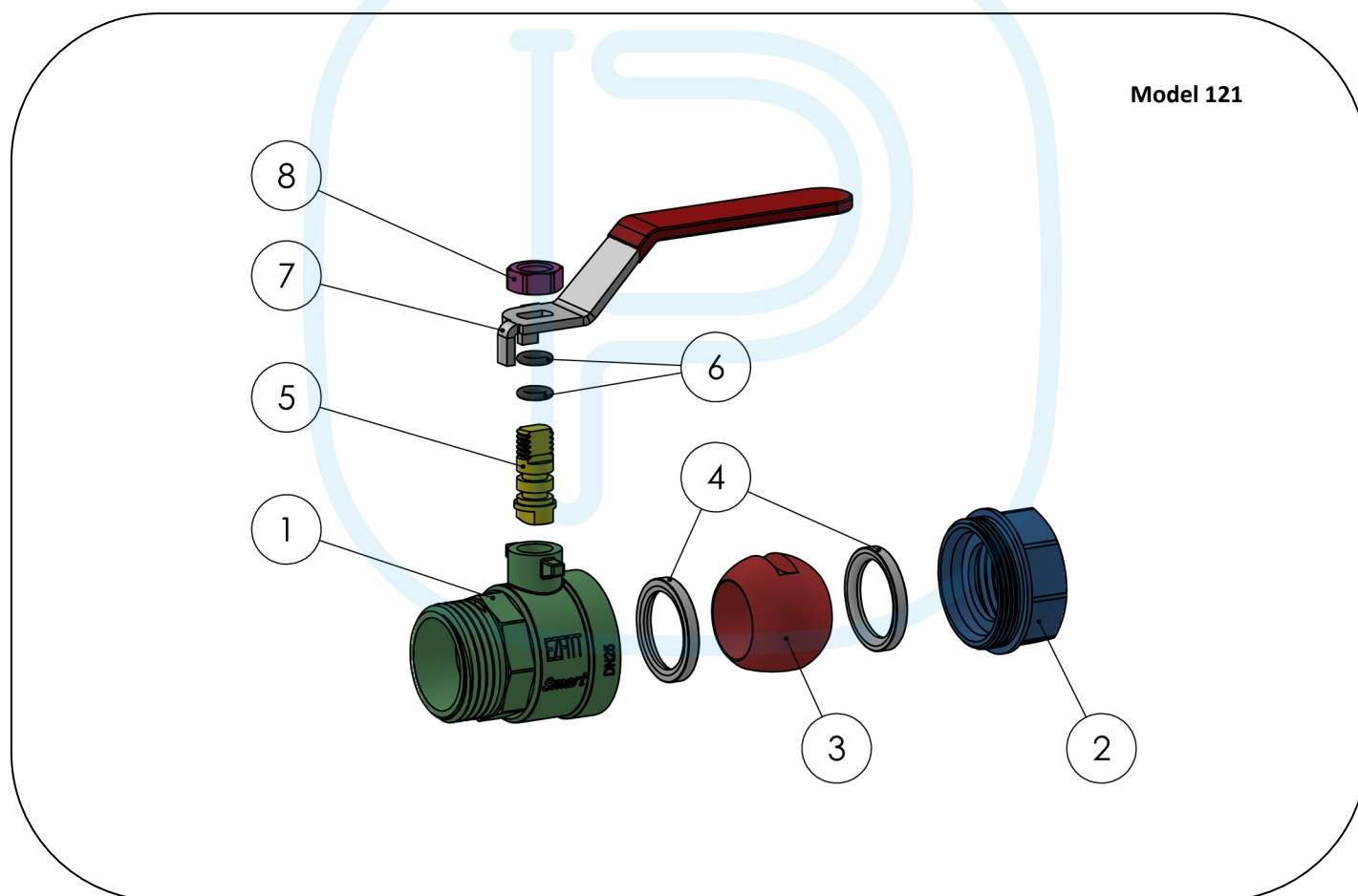


Conforme à l'arrêté du 29 Mai 1997 modifié relatif à la consommation humaine.

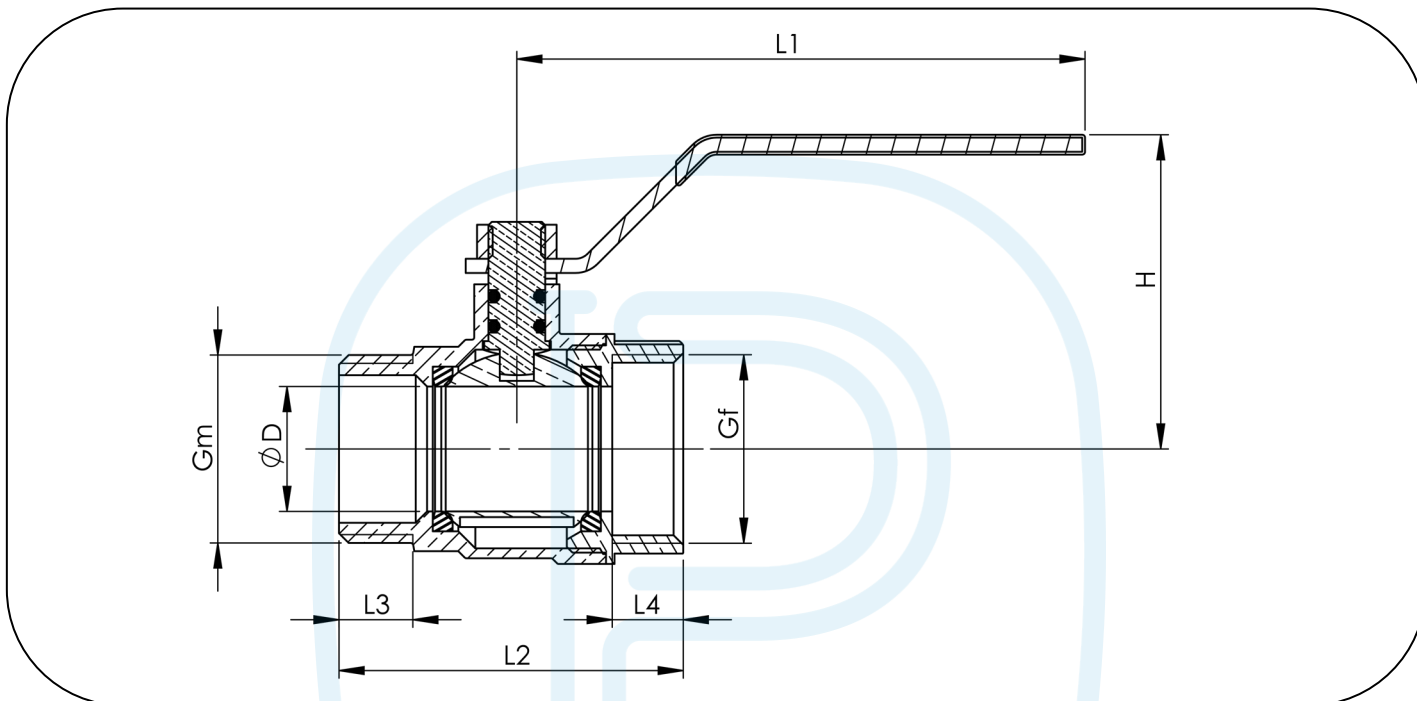
Comply with French drinking water regulation.

En conformidad con la regulación francesa relativa al agua potable.

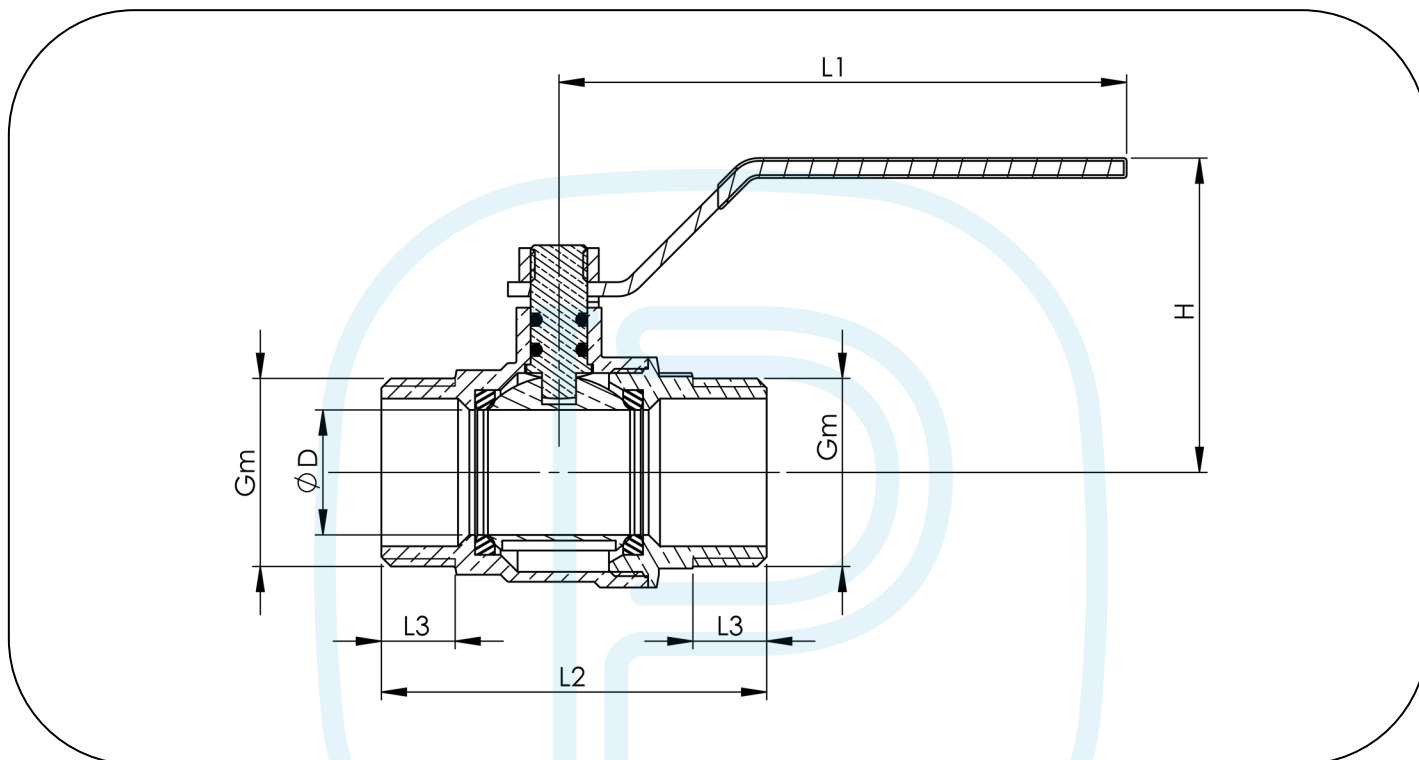
Nomenclature - Parts list - Lista de materiales



N°	Qté	Désignation	Matière	Description	Material	Designación	Materia
1	1	Corps	Laiton nickelé	Body	Nickel plated brass	Cuerpo	Latón niquelado
2	1	Manchon	Laiton nickelé	Bonnet	Nickel plated brass	Tapa	Latón niquelado
3	1	Sphère	Laiton chromé DN10-25 Inox 304 DN32-50	Ball	Chrome p. brass DN10-25 SS 304 DN32-50	Esfera	Latón cromado DN10-25 Inox 304 DN32-50
4	2	Siège	PTFE	Seat	PTFE	Asiento	PTFE
5	1	Axe	Laiton	Stem	Brass	Eje	Latón
6	2	Joint torique	EPDM	O'ring	EPDM	Junta tórica	EPDM
7	1	Poignée plate	Acier chromé + PVC	Flat handle	Chrome plated steel + PVC	Palanca plane	Acero cromado + PVC
8	1	Écrou	Acier chromé	Nut	Chrome plated steel	Tuerca	Acero cromado

Art. 121


Référence Item no. Código	DN	Gf	Gm	ØD	H	L1	L2	L3	L4	PN (bar)	Poids (kg) Weight Peso
19211	10	3/8"	3/8"-B	10	40	77	40	8.5	8.2	32	0.103
19212	15	1/2"	1/2"-B	13.5	43	85	45	10.5	9.5	32	0.137
19213	20	3/4"	3/4"-B	18	46	85	50.5	11.5	10	32	0.186
19214	25	1"	1"-B	22	55	104	61	13	12.5	32	0.303
19215	32	1"1/4	1"1/4-B	28	69	130	68	14	13	25	0.465
19216	40	1"1/2	1"1/2-B	35	75	130	83	15.5	14.5	25	0.673
19217	50	2"	2"-B	45	85	156	96	17	16	25	1.066

Art. 122


Référence Item no. Código	DN	Gm	$\varnothing D$	H	L1	L2	L3	PN (bar)	Poids (kg) Weight Peso
19221	10	3/8"-B	10	40	77	47	8.5	32	0.111
19222	15	1/2"-B	13.5	43	85	52.5	10.5	32	0.147
19223	20	3/4"-B	18	46	85	57	11.5	32	0.196
19224	25	1"-B	22	55	104	68	13	32	0.322